



Houston Fearless 76

50 YEARS OF ACHIEVEMENTS

DIAZO DUPLICATORS

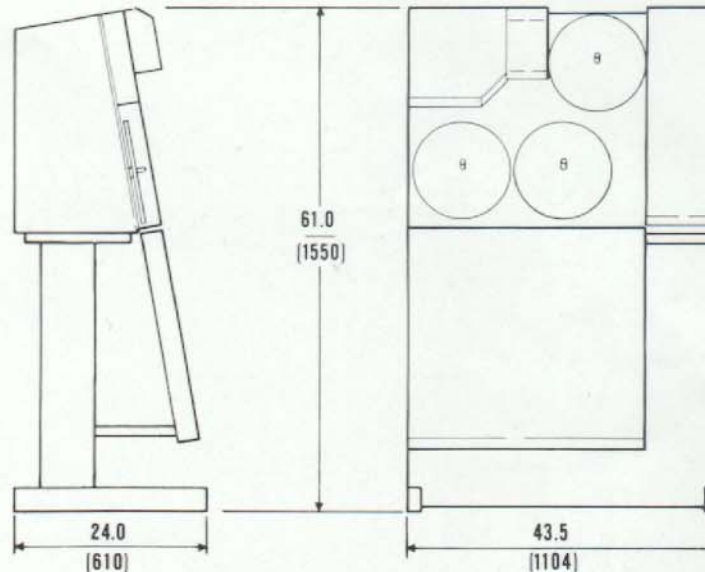
EXTEK 5402 AND 5492 SVHS

GENERAL SPECIFICATIONS

	Exttek 5402	Exttek 5492-SVHS
Film Size	16 mm or 35 mm	
	Thickness: 2.0 mil to 6.0 mil; master and duplicating film thickness may differ.	
Film Type	Master Film: Silver Halide, Diazo, or Vesicular. Duplicating Film: Diazo	
Max. Roll Diameter	12 in (305 mm)	
Film Capacity (2.5 mil)	3000 ft (914 m)	
Machine Speed, max.	200 fpm (61 mpm)	260 fpm (74 mpm)
Developer System	18-20 Baume' aqueous ammonia; Accepts standard 1 gal (3.8 l) container.	
Absorber System	2.5 gal (9.5 l) reservoir. Accepts 1.2 gal (4.7 l) of liquid absorber.	
Environment	65-80 deg. F. Room light. Recommended humidity 60-85%. Venting not required.	
Electrical Input	5402: 105 to 130 VAC, 60 Hz or 210 to 250 VAC, 50 Hz, single phase. 5492: 208 to 240 VAC, 60 Hz or 210 to 250 VAC, 50 Hz, single phase.	
Current (Max.)	17 Amp (115V); 10 Amp (230V)	10 Amp
Optional Features	Power Rewind for 5402; AutoStop Rewind for 5492. On-line Film Cleaner (Model TR129) available on all models. Loop module for continuous duplicating (master length to 250 ft.). 16/35mm loop module available on special order basis. Stand for free-standing operation (required for loop module). Work shelf attaches to duplicator for storing accessories, film, etc. Other special options available – consult factory.	
Weight (Table-top units)	237 lbs (108 kg)	
Shipped (Crated)	385 lbs (175 kg)	
Weight (Free-standing units)	320 lbs (145 kg)	
Shipping (Crated, two crates)	580 lbs (264 kg)	

CONSUMABLES

- **AMMONIA ABSORBER SYSTEM** includes bottle and hose attachments.
- **ABSORBER CRYSTALS** can be purchased from HF; P/N 1002388101; each packet of crystals permits absorption of up to 30,000 meters of film; packets contain a special dye which turns blue when the absorber solution is exhausted.
- **AMMONIA SUPPLY SYSTEM** includes standard 38mm closure/cap and hoses. Aqueous ammonia is available from local sources only.



Specifications subject to change without notice.